

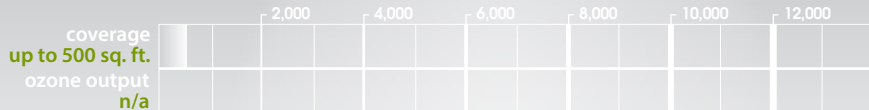


activTek INDUCT 500

9960043 Ozone
9960042 Ozone Free



2017 Space Technology
Hall of Fame Inductee



SINGLE ROOM AIR SYSTEM

description

- Compact, self contained, natural air treatment system
- Discreet internal mounting
- No cleaning required
- ActivePure® Technology
- Convenient power cord

applications

- Room size “In-Wall,” P-TAC, or “Stand-Alone” Heating/AC units
- Hotel rooms
- Motel rooms
- Offices

the technology

The activTek INDUCT 500 utilizes tested ActivePure® Technology to substantially reduce odors, visible smoke in the air, and treat contamination on surfaces. Designed to be installed inside the ductwork of an in-wall heating and air conditioning unit,

INDUCT 500 is compact, self-contained, and requires no cleaning. Covers up to 500 square feet. Professional installation recommended.

Published scientific studies conducted on behalf of activTek by Dr. James Marsden at Kansas State University demonstrated that activTek’s ActivePure® Technology substantially reduces microbial populations on surfaces. The study’s results have not been reviewed by the FDA, EPA or any other governmental agency. Our products are not medical devices and are not intended to diagnose, treat, or cure any disease.



specifications

INDUCT 500	9960043 9960042 Ozone Free <i>NOTE: This unit does not meet California requirements and cannot be shipped to California.</i>	
electrical	15VDC Input, .1 Amps, 100 – 240 VAC, 50/60 HZ	5 Watts* – Switching Power Supply
mechanical	retainer clip included	
dimensions	10.38" L x 2.25" W x 1.25" H	28.37cm L x 5.72cm W x 3.175cm H
weight	2.9 pound	1.3 kilograms
hvac air blower	250 SCFM recommended air flow	
ozone production	Includes ozone output for 5" cell. 5" cell .015PPM 5.45mg/hr. Tested in ductwork with airflow set to 100CFM.**	

The activTek INDUCT 500 is ideally applicable to be installed inside of the ductwork of “Stand-Alone” or typical “In-Wall” air handler units.

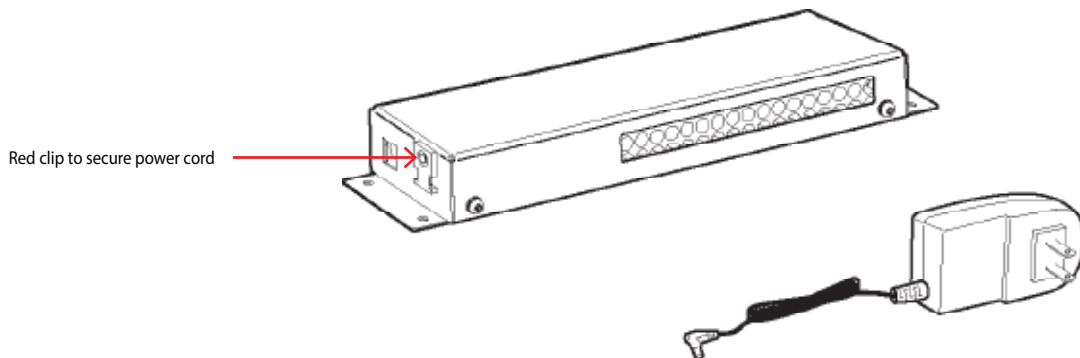
applications list

- Hotel rooms
- Motel rooms
- Cabins
- Efficiency apartments
- Nursing home rooms
- Offices

installation details

The activTek INDUCT 500 is intended to be installed inside of a typical in-wall unit.

- They are to be installed in the duct after the fan.
- Recommend 250 CFM air flow for optimal use.
- Please contact your Distributor with the make and model for compatibility and specific installation instructions.
- Installation must be by licensed HVAC professional.



danger!

DANGER: Never look directly at the unit while it is in operation. The activTek INDUCT 500 utilizes high-intensity Ultraviolet light which can cause damage to your eyes. Always install the activTek INDUCT 500 at least 24" back from the opening. Shield the unit as

necessary to prevent direct line-of-sight vision of the unit. Always use approved safety equipment when working near UV light.

Distributed By: